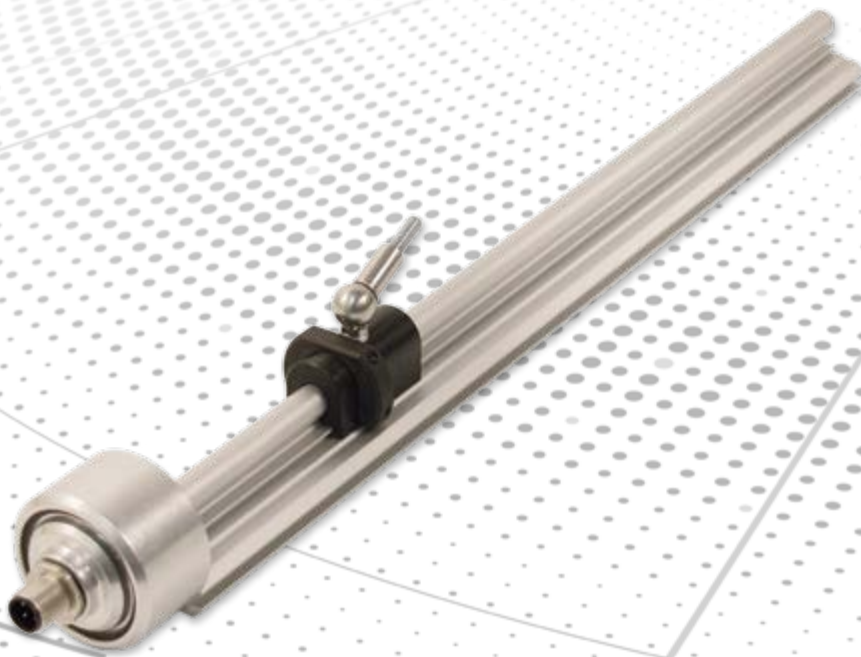


Linear encoder LMP 48

up to 3 m measurement length



Product information

Release note

Please note that the information, measure values and tolerances in the drawings are not binding. Subject to Modification in technology and design. They serve only as a means to illustrate the product. Please contact our sales team if you would like a concrete offer and a binding drawing.

All information and data can be found at:
www.tr-electronic.com/s/S006878

Access information even faster:
by scanning the QR code.



New linear encoder series LMP 48

Analog

SSI

CAN



Advantages

- _ High level of machine availability: touch-free and wear-free measurement
- _ No machine initialization after a power failure: Linear absolute measurement
- _ Easy to install: Clampable, flat profile housing
- _ Compatible even in restricted space: Compact design
- _ Simple to connect: economical M12 standard connectors for all interfaces

Additional features

- _ Optimal price-performance ration for many industrial applications
- _ Measurement lengths of 0.03 m to 3 m
- _ A wide range of magnets and magnet slides are available
- _ Resistant to vibration and fluctuations in temperature

Features

- _ Resolution: 5/100 mm
- _ Linearity: 0.01 % FS
- _ Reliably tight system with protection class IP 67
- _ Spacers adapt the measuring profile to a diverse range of assembly situations.
- _ Device foot for installation with clamping shoes or to the rear with a sliding block.

Fields of application

- _ General positioning in machine construction
- _ Replacement for existing measuring elements, e.g. wear-prone potentiometers
- _ Plastic spray machines
- _ Feed and dress axis

Contents

Mode of operation – magnetostriction	4
Linear encoders – LMP 48	5
Accessories – magnets	6
Accessories – double clamping, spacers	7
Company overview – TR-Electronic GmbH	8/9
Addresses – Sales, Germany and International	10/ 11

Magnetostriction – functional principle

Magnetostriction technology

The measuring principle is based on a travel time measurement (ultrasonic range). A protecting tube contains a tensioned magnetostrictive wire (waveguide), through which current pulses are transmitted. This generates a circular magnetic field around the wire. A non-contact permanent magnet serves as a position sensor, touching the waveguide with its magnetic field. The two differently aligned magnetic fields meet at the measuring point and trigger a torsion pulse, which moves along the wire in both directions at a constant sound velocity. The time difference between the emission of the torsion pulse and its arrival at the encoder in the sensor head is converted by the measuring electronics into a displacement-proportional signal, which is made

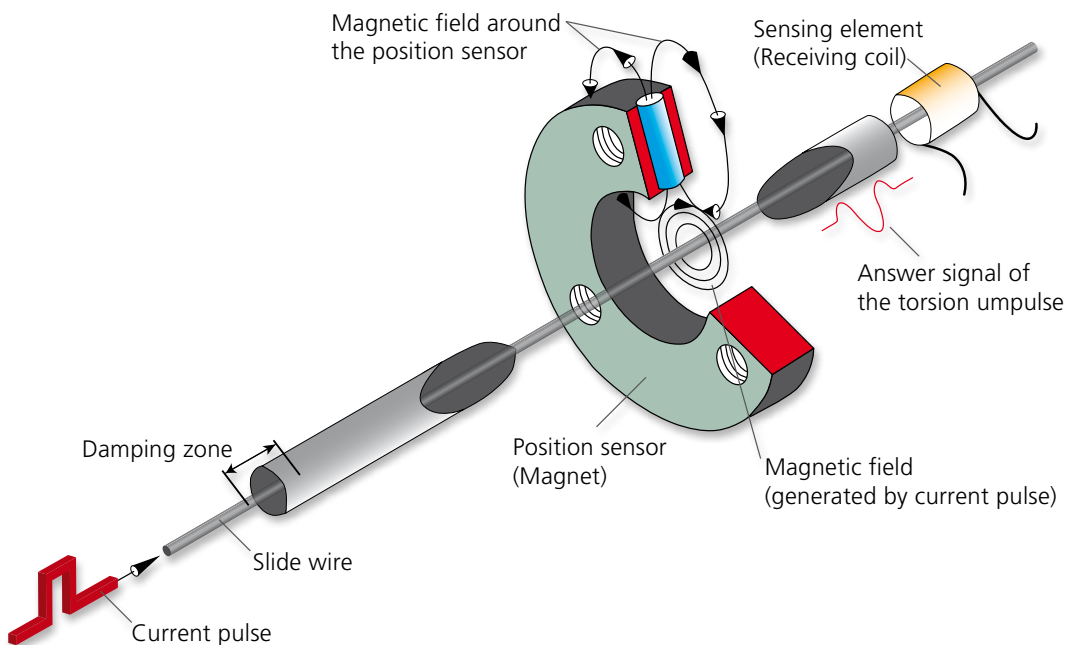
available as a digital or analog output signal.

The touch-free and wear-free measuring systems, which operate based on magnetostriction technology, are available in the following versions.

In an aluminium profile housing with externally attached measuring slide or loose magnet, managed by the operator

Advantages

- _ touch-free and low on wear and tear
- _ precise and reliable position feedback
- _ for attachment to the machine



LMP 48



Advantages

- _ Measures linear movement
- _ Profile housing
- _ Wear-free scanning
- _ Compact design

General Data

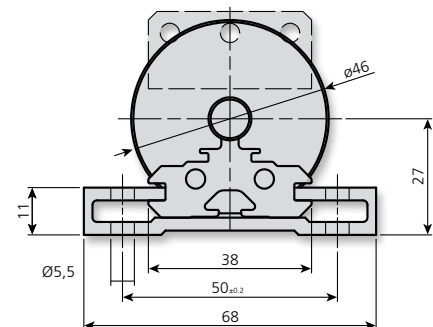
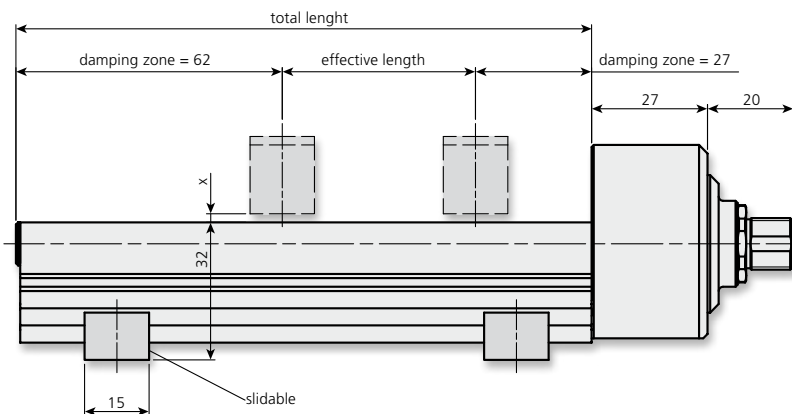
Supply	
- Supply voltage	24 VDC \pm 20 %
Measuring length, standard	30 ... 3,000 mm in steps
Resolution	0,05 mm
Linearity deviation	<0.01% Measuring length, \geq 60 μ m
Reproducibility	<0.005% Measuring length, \geq 50 μ m
Cycle time internal, <0,5 m/1 m/1,5 m	0.50 ms/1.00 ms/1.5 ms

Environmental conditions

Relative humidity	98 %, non condensing
Protection class	
- Standard	IP67

Dimensional drawing

LMP 48



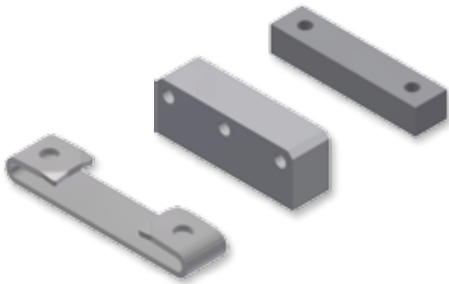
More information about

the devices can be found at

www.tr-electronic.com/s/S006878

Overview – accessories*

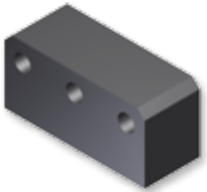
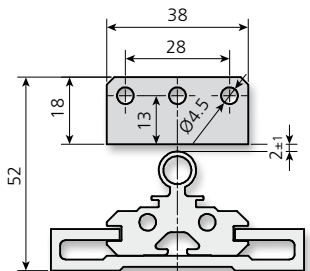
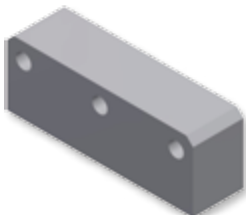
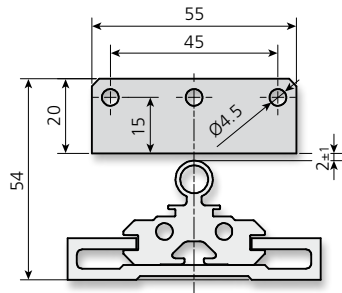

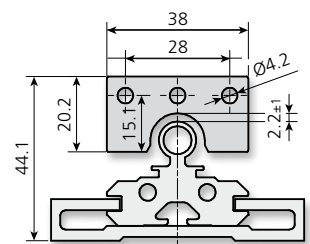
Magnets and spacers



Products

- Block magnets
- Open ring magnets
- Ball-joint arms
- Double clamping
- Spacer (extension to installation height available as follows 5/10/12 mm)

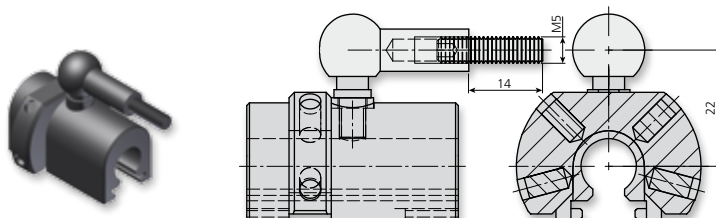
*When inquiring about suitable accessories, please always specify the encoder.

Type	Order number	Product	Scale drawing
Block magnet T1-S3818	49-155-015		
Block magnet T1-S5520	49-155-009		
Open ring magnet T4-U3820	49-155-003		

Please request detailed drawings for your configuration.

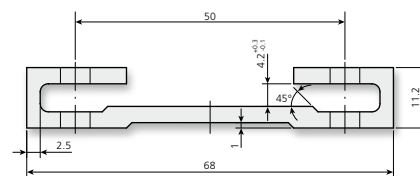
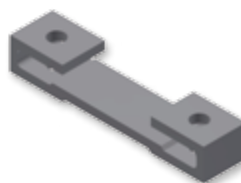
Ball-joint arm

85-917-013



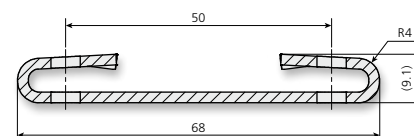
Double clamping –
aluminium (included
in scope of delivery)

49-917-001



Double clamping – stainless
steel, for vertical assembly

49-917-057

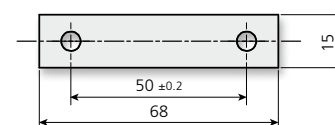
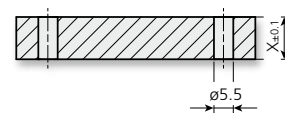


Spacer

49-917-081 (X=05 mm)
49-917-082 (X=10 mm)
49-917-083 (X=12 mm)



Example: 49-917-083 (X=12 mm)



TR-Electronic – your partner in automation

Rotary encoders

Absolute encoder, incremental rotary encoder, wire-actuated encoder

Rotary encoders with optical and magnetic scanning function register the precise position in a wide variety of applications and industries.

In medical engineering, miniature versions ensure correct positioning while SIL3-approved absolute rotary encoders provide the necessary safety. We offer not only high-quality rotary encoders (from Ø 22 to 160 mm) for almost any application but also comprehensive accessories.

Linear encoders

Linear absolute measuring systems, laser displacement measurement

Linear encoders register linear motions in machines, tools and systems according to specific requirements using different technologies.

Linear encoders allow measuring distances of max. 20 m almost without any wear. This value is max. 240 m for laser measuring systems. Machines and systems can be precisely controlled to reach their desired positions.

Motion

Servo drives, compact drives, process drives

Intelligent encoTRive drives are available with the current field bus systems, such as PROFIBUS, PROFINET and CANopen, within a power range of up to 300 watts. The drives are configured to meet customer requirements and can be freely combined with precision gear, holding brake and I/O. Values of up to 4,350 rpm and powerful 200 Nm are available to cope with demanding applications.



Components

**Industrial PC, field bus I/O,
PLC, HMI controller**

Industrial PCs are available in numerous variants and offer customized calculation power for PC-assisted automation. Programmable logic controllers (PLC) are the traditional means for automation. HMI controllers establish the interface to the user. Field bus nodes, I/O modules and cam controllers complete the range of automation components.

Automation

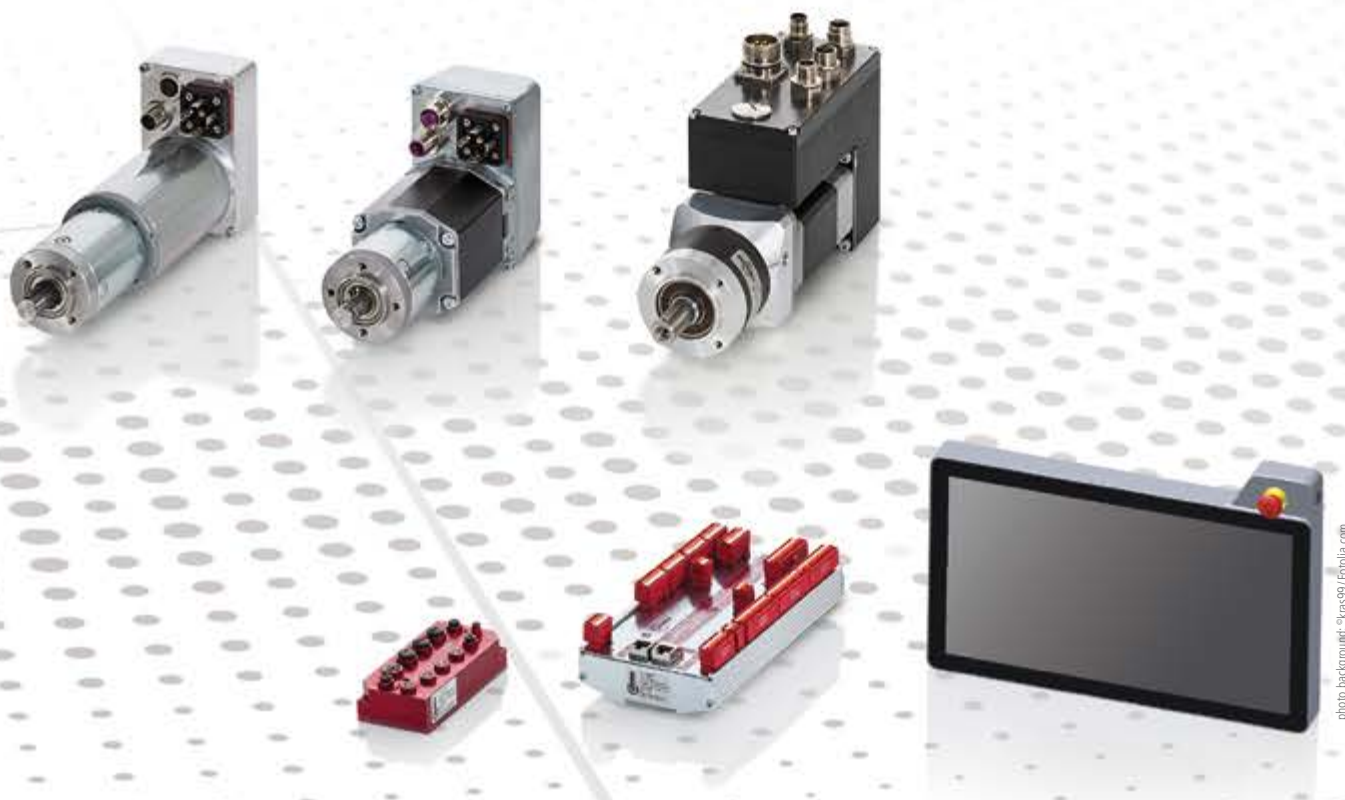
**Consulting and implementation
for new machines and retrofit**

You want to set up a largely automated new machine or retrofit and modernize your existing machine with automation systems? Then you just need our extensive expert knowledge and the more than 20 years of our experience.

Unidor

**Blanking and forming,
systems, controls and sensors**

Trendsetting blanking and forming technology for more than 30 years. We are your reliable partner in the world of blanking and pressing and can prove this with thousands of machines which we have successfully installed all over the world. Sensors, controls and systems ensure optimal results in machines, tools and retrofit projects.



Headquarter

TR-Electronic GmbH
Eglishalde 6

D-78647 Trossingen
Germany

Tel.: +49/7425 228-0
Fax: +49/7425 228-33

info@tr-electronic.de
www.tr-electronic.de

International

Argentina

AEA Aparatos Eléctricos
Automáticos
S.A.C.I.E./Asunción 2130
AR-1419 Buenos Aires
Tel.: +54/11 - 4574 1155
Fax: +54/11 - 4574 2400
servicioalcliente@aea.com.ar
www.aea.com.ar

Brazil

Grupo C+ Tecnologia
Rua dos Caetés
601 - Perdizes
BR - São Paulo – SP
CEP-05016-081
Tel.: +55/11-2168 6554
Fax: +55/11-2168 6555
info@ctecnologia.com.br
www.ctecnologia.com.br

Denmark

TR-Electronic Danmark ApS
Hustedgårdvej 22
DK-8722 Hedensted
Tel.: +45/75 89 06 03
Fax: +45/75 89 06 36
cbj@tr-electronic.dk
www.tr-electronic.dk

India

Global-Tech (India) Pvt Ltd
404 White House
1482 Sadashiv Peth
IND-Tilak Road, Pune - 411 030
Tel.: +91/20- 2447 00 85
Fax: +91/20- 2447 00 86
info@globaltechindia.com
www.globaltechindia.com

Australia

Sensor Measurement Pty Ltd.
Unit 8/26 Shields Crescent
P.O. Box 1079
AU-Booragoon
Western Australia 6154
Tel.: +61/8-93 17 25 52
Fax: +61/8-93 17 24 52
sales
@sensormeasurement.com.au
www.sensormeasurement.com.au

Canada

TR Electronic
P.O. Box 2543, Station B
CDN-London, Ontario Canada
N6A 4G9
Tel.: +1/519-452 1999
Fax: +1/519-452 1177
customercare@trelectronic.com
www.trelectronic.com

Finland

Sarlin Oy Ab
P.O. Box 750
FI-00101 Helsinki
Tel.: +358/10 - 550 4000
Fax: +358/10 - 550 4201
info@sarlin.com
www.sarlin.com

Israel

Dor Engineering
P.O.Box 6
ISR-4880500 Kibutz Einat
Tel.: +972/3 9007595
Fax: +972/3 9007599
info@doreng.co.il
www.doreng.co.il

Austria

TR-Electronic GmbH
Tragösserstraße 117
A-8600 Bruck/Mur
Tel.: +43/3862–55006 0
Fax: +43/3862–55006 33
info@tr-electronic.at
www.tr-electronic.at

China

TR-Electronic (Beijing) CO., LTD.
Rm. 1302, Side A, Lucky Tower
No. 3 Dongsanhuan North Road
Chaoyang District
CN-100027 Beijing, P.R. China
Tel.: +86/10 - 646 131 96
Fax: +86/10 - 646 135 51
lu.yu@tr-electronic.de
www.tr-electronic.com.cn

France

TR-Electronic France SARL
1 Av. Christian Doppler
Bâtiment 2
F-77700 Serris
Tel.: +33/1-64 63 68 68
Fax: +33/1-61 10 17 66
info@tr-electronic.fr
www.tr-electronic.fr

Italy

Telestar S.r.l.
Via Novara, 35
I-28010 Vaprio D'Agogna (NO)
Tel.: +39/03-21 966 768
Fax: +39/03-21 996 281
telestar@telestar-automation.it
www.telestar-automation.it

Belgium

Martek SPRL - BVBA
Rue du Broux 16
B-1320 Beauvechain
Tel.: +32/10 86 82 80
Fax: +32/10 86 82 89
info@martek.be
www.martek.be

Czech Republic, Slovakia

DEL a.s.
Strojírenská 38
CZ-59101 Žďár nad Sázavou
Tel.: +420/566 657 100
Fax: +420/566 621 657
zastoupeni.tr@del.cz
www.del.cz

Great Britain

TR-Electronic Limited
4 William House, Old St.
Michaels Drive, Braintree
GB-Essex CM7 2AA
Tel.: +44/1 371-876 187
Fax: +44/1 371-876 287
info@tr-electronic.co.uk
www.tr-electronic.co.uk

Japan

SANTEST CO. LTD.
1-60 Tsuneyoshi, 1-Chome
Konohanaku
J-Osaka 554-8691
Tel.: +81/6-6465 5561
Fax: +81/6-6465 5921
info@santest.co.jp
www.santest.co.jp

Mexico

TR Electronic
P.O. Box 2543, Station B
CDN-London, Ontario Canada
N6A 4G9
Tel.: +1/519-452 1999
Fax: +1/519-452 1177
customer@trelectronic.com
www.trelectronic.com

Russia

Sensotec LLC
Bolshoy Ovchinnikovskiy. per.16,
off. 508
RU-115184 Moscow
Tel.: +7/495-797-12-54
Fax: +7/495-797-12-24
info@sensotek.ru
www.sensotek.ru

Sweden

TR Electronic Sweden AB
Djupdalsvägen 10
S-192 51 Sollentuna
Tel.: +46/8-756 72 20
Fax: +46/8-756 76 80
mailbox@trelectronic.se
www.trelectronic.se

USA (TR-Electronic)

TR Electronic
P.O. Box 4448
US-Troy, MI 48099
Tel.: +1/248-244-2280
Fax: +1/248-244-2283
customer@trelectronic.com
www.trelectronic.com

Netherlands

TR-Electronic Nederland BV
Postbus 1682
NL-6201 BR Maastricht
Tel.: +31/43 352 3614
Fax: +31/43 352 3555
info@tr-electronic.nl
www.tr-electronic.nl

Singapore

Globaltec Electronics
(Far East) Pte. Ltd.
50 Bukit Batok Street 23
#06-27 Midview Building
SIN-659578 Singapore
Tel.: +65/6267 9188
Fax: +65/6267 8011
info@globaltec.com.sg
www.globaltec.com.sg

Switzerland

TR-Electronic SA
14, Ch. Pré-Fleuri
CH-1228 Plan-les-Ouates/Genève
Tel.: +41/22-7 94 21 50
Fax: +41/22-7 94 21 71
info@tr-electronic.ch
www.tr-electronic.ch

USA (TRsystems)

TRS Fieldbus Systems, Inc.
666 Baldwin Court
US-Birmingham, MI 48009
Tel.: +1/586 826-9696
Fax: +1/586 826-9697
support@trs-fieldbus.com
www.tr-fieldbus.com
trthailand@trelectronic.co.th
www.trelectronic.co.th

Norway

TR Electronic Norway AS
Fusdal Terrasse 3
N-1387 Asker
Tel.: +46 708 696 533
Fax: +46 875 676 80
info@trelectronic.no
www.trelectronic.no

Slovenia

S.M.M. d.o.o.
Jaskova 18
SI-2001 Maribor
Tel.: +386/2450 2300
Fax: +386/2450 2302
smm@siol.net
www.smm.si

Taiwan

TR-Electronic (Beijing) CO., LTD.
Rm. 1302, Side A, Lucky Tower
No. 3 Dongsanhuan North Road
Chaoyang District
CN-100027 Beijing, P.R. China
Tel.: +86/10 - 646 131 96
Fax: +86/10 - 646 135 51
lu.yu@tr-electronic.de
www.tr-electronic.com.cn

Poland

Stoltronic-Polska Sp. z o.o.
ul. Dabrowskiego 238C
PL - 93-231 Lodz
Tel.: +48/42-649 12 15
Fax: +48/42-649 11 08
stoltronic@stoltronic.pl
www.stoltronic.pl

South Africa

Angstrom Engineering (Pty) Ltd.
19 Tom Muller Road
P.O. Box 793
SA-Meyerton 1960
Tel.: +27/16 3620300
Fax: +27/16 3620725
info@angstromeng.co.za
www.angstromeng.co.za

Thailand

T+R Electronic (Thailand) Co., Ltd.
120/62 Moo 8 Bang Sare
TH - Sattahip, Chonburi 20250
Tel.: +66/38 737 487
Fax: +66/38 737 171
trthailand@trelectronic.co.th
www.trelectronic.co.th

Republic of Korea

MS Intech Co., Ltd.
B-306, Gasan Digital 1 Ro 119
Keumcheon-Gu
KOR-Seoul
Tel.: +82/2-334 0577
Fax: +82/2-862 1591
sales@msintech.com
www.msintech.com

Spain, Portugal

Intertronic Internacional, SL
C/Johannes Gutenberg, 4 y 6
P.I. Parque Tecnológico
E-46980 Valencia
Tel.: +34/96-375 8050
Fax: +34/96-375 1022
info@intertronic.es
www.intertronic.es

Turkey

Üniversa İç-Dis Tic. ve
Mak. San. Ltd. Sti.
Cemal Gürsel Caddesi
No: 11 D: 4
TR-35600 Karsiyaka-İZMİR
Tel.: +90/232 382 23 14
Fax: +90/232 382 23 24
info@universa.com.tr
www.universa.com.tr

TR-Electronic GmbH
Eglishalde 6
D - 78647 Trossingen

Tel. +49 7425 228-0
Fax +49 7425 228-33

info@tr-electronic.de
www.tr-electronic.de



Last update: March 2014 · 68-105-112 · TR-V-PR-GB-0018-00

Cover photo background: ©kras99-fotolia.com · Subject to technology and design modifications.

