

Absolute rotary Encoder

CEV65M*4096/4096 SSI (ALT.: 110-01433)

OrderNo.:CEV65M-01433

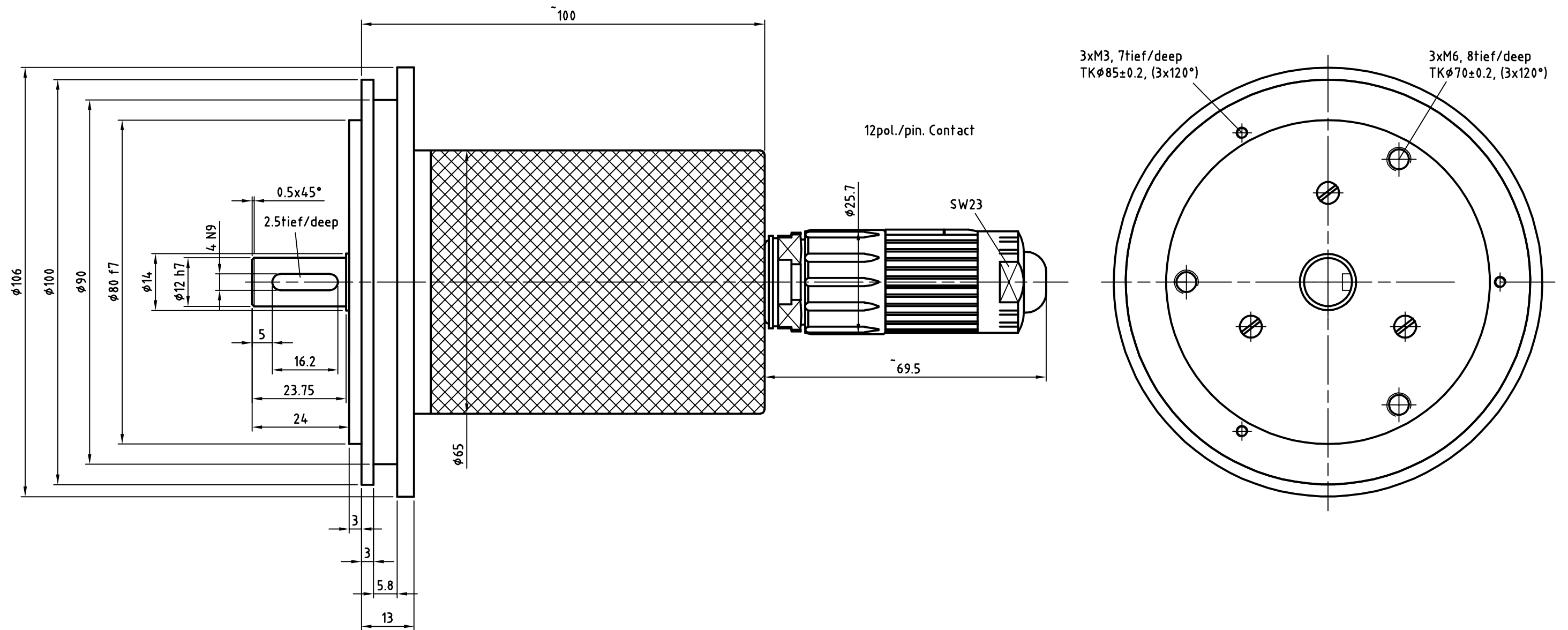
19.5.2023 / 010102006502010201

Technical data

| | |
|-----------------------|-----------------|
| NO.OF STEPS/REV | 4.096,000 |
| NO. OF REVOLUTIONS | 4.096,000 |
| PARAMETERIZABLE | PROG. |
| INTERFACE | SSI |
| CODE | PROGRAMMABLE |
| SUPPLY VOLTAGE | 11-27V |
| OUTPUT LEVEL | RS422 |
| PROTECTION Class | IP65 |
| OPERATING TEMPERATURE | 0-60°C |
| FLANGE TYPE | ZB80 |
| SHAFT TYPE | 12KEYWAY/24 |
| CONNECTOR TYPE | CONTACT 12P |
| CONNECTOR-POSITION | AXIAL |
| PINOUT NO. | ST185E |
| MATING PLUG | YES |
| OPTIONS ENC | F/R |
| OPTIONS ENC | PRESET 1+2 |
| OPTIONS ENC | PROGRAMMABLE |
| DRAWING NO. | 04-CEV65M-M0154 |
| VERSIONNO | 158 |
| PARAMETER FILE | CE831-095 |
| FIRMWARE NO | 437860 |
| DOCUMENTATION NO | DOKUMENTE |
| AL: | N |
| ECCN: | N |


| | |
|----------------|--|
| GL | Wellenausführung glatt / shaft type cylindrical |
| FL | Wellenausführung mit Fläche / shaft type with flat surface |
| N | Wellenausführung mit Nut / shaft type with slot |
| Hohlw | Hohlwelle / hollow shaft |
| Klemme | mit Klemmring / with clamping ring |
| Grundw | Grundwelle / fundamental shaft |
| SLG | Seillängengeber / cable retractor |
| ZB | Zentrierbund / centre ring |
| Tachofl | Tachoflansch / tachometer flange |
| DAG | DAG-Schutzgehäuse / DAG protective housing |
| TK | Teilkreis / pitch circle |

Subject to change.



Artikel-Nr. und Steckerbelegung: siehe Datenblatt
 Article-No. and pin connections: see data sheet

| | | |
|------------|------------|---|
| 50 | h7 | $\begin{matrix} 0 \\ -0.025 \\ 58 \\ 49.975 \end{matrix}$ |
| $\phi 6$ | h6 | $\begin{matrix} 0 \\ -0.008 \\ 6 \\ 5.992 \end{matrix}$ |
| Dimensions | Tolerances | |

| | | | | | |
|--|----------|----------|--|--------|------------------------------|
|  TR Electronic GmbH Eglisshalde 6 78647 Trossingen Telefon 07425/228-0 | | | Maßstab 1:1 | DIN A3 | Projekt-Nr.: |
| | | | Zeichnungs-Nr. nur für diese Ausführung gültig Drawing-No. only for this type valid | | |
| | | | Datum | Name | CEV-65-M, 80er Zentr. |
| | | Erstellt | 21.03.2006 | Flaig | |
| | | Bearb. | 21.03.2006 | FLAIG | |
| | | Gepf. | | | |
| | | | Norm | | |
| | | | www.tr-electronic.de DXF+Info: info@tr-electronic.de | | Zeichnungs-NR../Drawing-No.: |
| | | | | | 04-CEV65M-M0154 |
| Zust. | Änderung | Datum | Name | | Blatt 1 B1 |

Pin assignment

Pin assignment number: 185

Index: E

20.01.2021

Connector name: M23 12-pol

Pin-count: 12

Page: 1/1

| Pin | Designation | Description | Colour |
|-----|---------------------|----------------------------------|--------|
| 1 | SSI_Clock-_IN | Clock input - | - |
| 2 | SSI_Clock+_IN | Clock input + | - |
| 3 | SSI_DATA+_OUT | Data output + | - |
| 4 | SSI_DATA-_OUT | Data output - | - |
| 5 | Ser.Program+_IN/OUT | Ser. programming interface RS485 | - |
| 6 | Ser.Program-_IN/OUT | Ser. programming interface RS485 | - |
| 7 | not connected | | - |
| 8 | Direction IN | Change of counting direction | - |
| 9 | Preset1_IN | Preset value 1 | - |
| 10 | Preset2_IN | Preset value 2 | - |
| 11 | Supply Voltage IN | Supply voltage | - |
| 12 | Ground IN | Ground | - |

WARNING

'De-energize the system before carrying out wiring work or opening and closing electrical connections !

Short-circuits, voltage peaks, etc. can cause operating failures and uncontrolled operating states, as well as serious personal injuries and damage to property.

Verdrahtungsarbeiten, Öffnen und Schließen von elektrischen Verbindungen nur im spannungslosen Zustand durchführen ! Kurzschlüsse, Spannungsspitzen etc. können zur Fehlfunktion und unkontrollierten Zuständen der Anlage bzw. zu erheblichen Personen- und Sachschäden führen.