

## Draw-Wire SL3015, 15.0 m, 130 mm



Ref.: K-SL30-15000-130-1

07.05.2021

010104015001029999

### Advantages

- Backlash-free encoder coupling
- Flexible mount of attachments
- Heavy-Duty applications
- Life time  $\leq 1$  mio. cycles
- Very high measuring accuracy
- Very high working reliability

### General Data

Order number(s)	40-720-005 (left) 40-720-018 (right)
Housing design	□ 130 mm
Housing material	Aluminium anodized
Measuring length	15.00 m
Gear ratio	333.21 mm/Umdr. Note: Observe name plate!
Accuracy, gear ratio	$\pm 0.05$ %
Diameter, measuring wire	0.81 mm
Material, measuring wire	Stainless steel, 1.4401
Wire outlet angle	$\leq \pm 3^\circ$
Position of wire, acc. drawing	left or right
Linearity	$\pm 0.05$ % related to the measuring value
Reproducibility	0.01 % related to the measuring value
Adjusting speed	$\leq 6$ m/s
Spring retraction force	10...21 N
Load cycles, typically	$\leq 1\,000\,000$
Options	
- Cold-grease	-30...+80 °C

Subject to change.

TR-Electronic GmbH  
Eglshalde 6  
78647 Trossingen  
Tel. +49 (0) 7425 228-0  
info@tr-electronic.de  
[www.tr-electronic.de](http://www.tr-electronic.de)

## Draw-Wire SL3015, 15.0 m, 130 mm

Ref.: K-SL30-15000-130-1

07.05.2021

010104015001029999

### General Data continuation

- Attachment	Bellow (dirt wiper)
- Attachment	Brushes (dust protection)
- Wire hook	fixed
- Wire hook	Ball joint
- Guide pulley	one-way, wire outlet linear
- Guide pulley	two-way, change in direction
Mass, typically	5 kg

### Environmental conditions

Vibration	
- Specific value	$\leq 100 \text{ m/s}^2$
- Sine	50...2000 Hz
Shock	
- Specific value	$\leq 250 \text{ m/s}^2$
- Half sine	11 ms
Working temperature	
- Standard	-20...+70 °C
Storage temperature, dry	-30...+85 °C
Protection class	
- Standard	IP64
- Note	according mounting instruction

Subject to change.

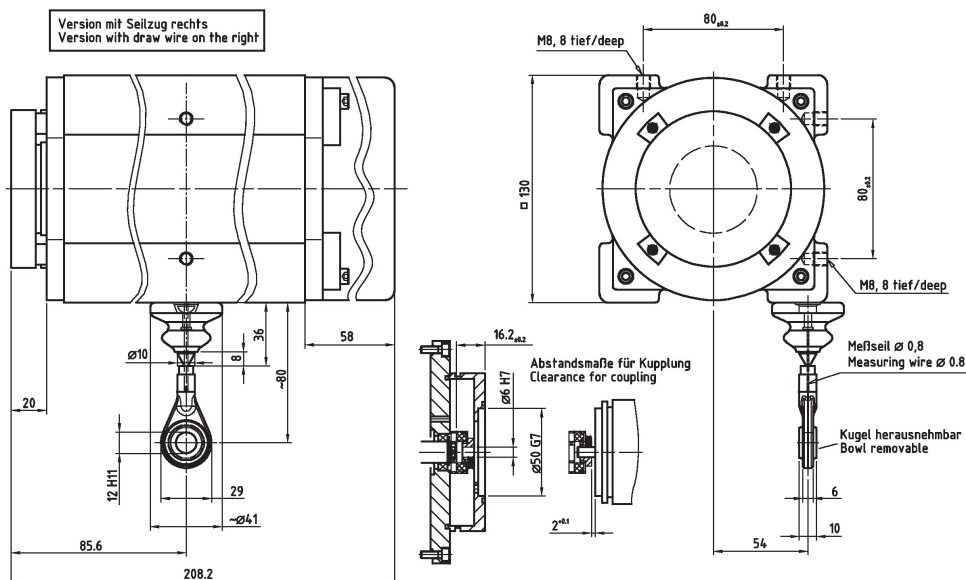
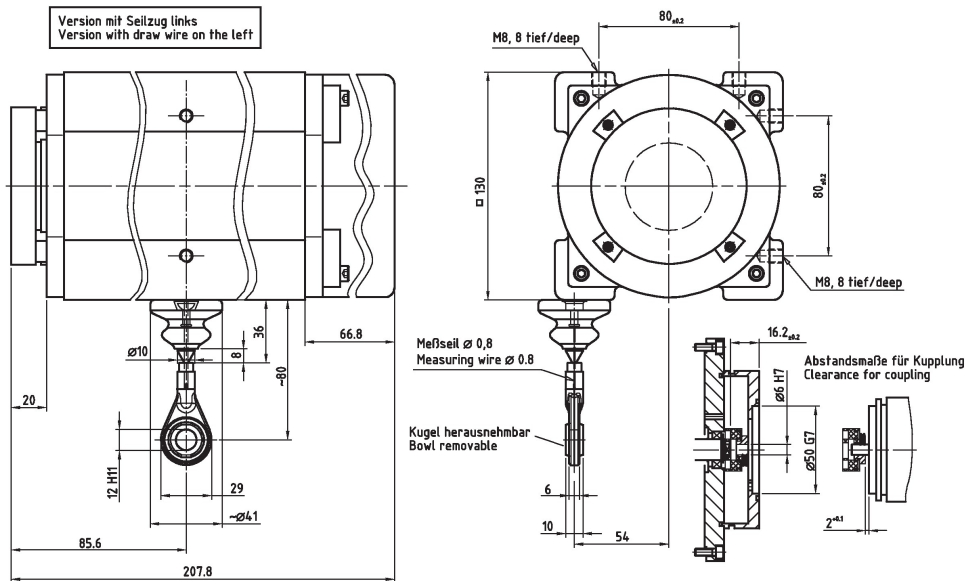
# Draw-Wire SL3015, 15.0 m, 130 mm

Ref.: K-SL30-15000-130-1

07.05.2021

010104015001029999

## Dimensional drawing



Subject to change.

---

## Draw-Wire SL3015, 15.0 m, 130 mm

**Ref.: K-SL30-15000-130-1**

07.05.2021

010104015001029999

### Suggested products

CMW582M\*8192/4096 EIP SL3015

CMW582M-00009

CMW582M\*8192/4096 EIP SL3020+ULR

CMW582M-00107

**Subject to change.**